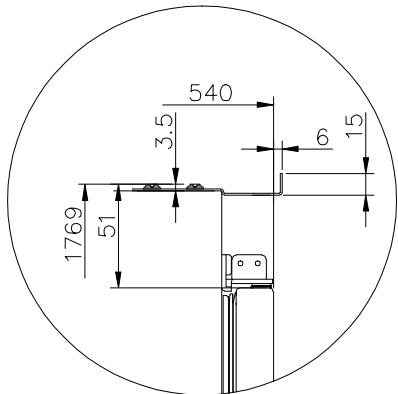
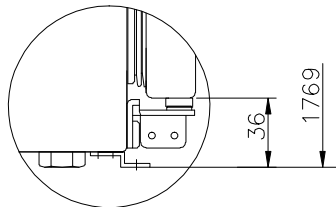


A
6:1



B
6:1



29/33/34BIA